

# ARISTO CAMERA

DOORBELL OUTDOOR UNIT



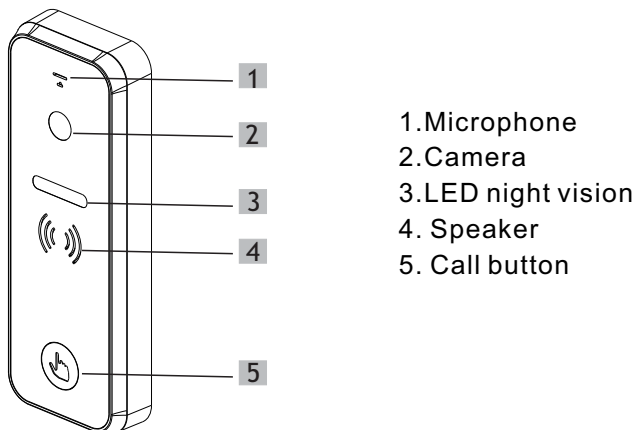
## OUTDOOR PANEL(DOORBELL)

Version: V1.0

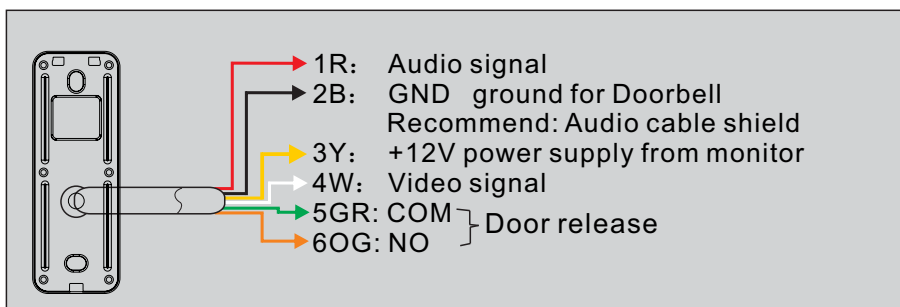
### SPECIFICATIONS

- Surface mounting
- Aluminium alloy Housing
- 800 TV lines
- Color CMOS Camera
- LED night vision
- Water-proof
- Working temperature: -30°C to +60°C
- Dimension: 133.2\*48\*15.5mm
- 60° or 110° viewing angle
- 1Vp-p75Ω Video output
- Power voltage DC 10-15V
- Power consumption 2.5W
- Anti-sabotage

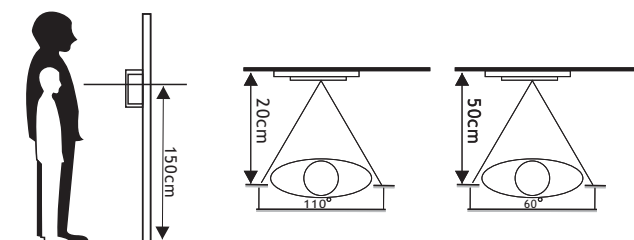
### DESCRIPTIONS OF DOORBELL(FRONT)



### DESCRIPTIONS OF DOORBELL(REAR)



### DOORBELL INSTALLATION



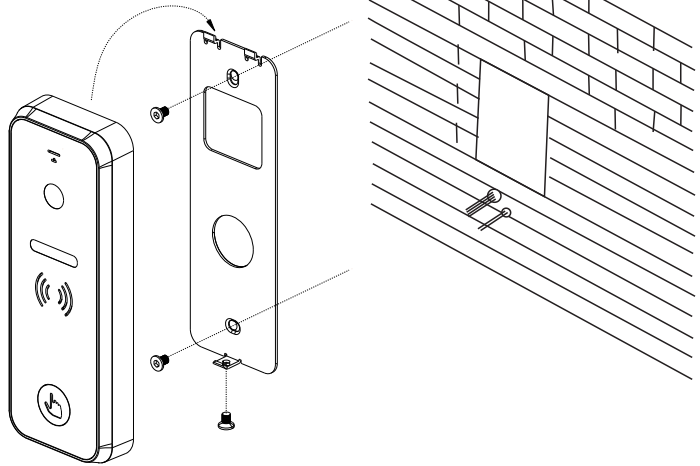
1. Please select the most suitable doorbell position, avoid direct sunshine to camera, dark surroundings, rain.
2. Determine doorbell installation height: suggest to be 1.5~1.6 meters.

## Installation Diagram

### A. Surface mounted directly

Processes:

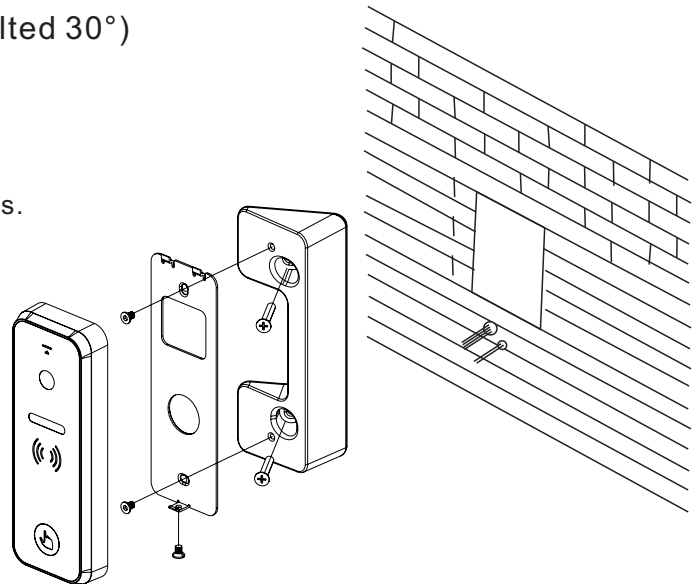
1. Dig a hole at the suitable height on the wall.
2. Disassemble the cover from the outdoor panel by screwing off the screw on the bottom.
3. Fixed the bracket on the wall with screws.
4. Make the cables through the wall & bracket to connected to the doorbell interface.
5. Put the cover on to the outdoor panel, and fix it with the screw on the bottom.



### B. Surface mounted with angle bracket (tilted 30°)

Processes:

1. Dig a hole at the suitable height on the wall.
2. Fixed the 30° Corner iron on the wall with screws.
3. Disassemble the cover from the outdoor panel by screwing off the screw on the bottom.
4. Make the cables through the wall & bracket to connected to the doorbell interface.
5. Put the cover onto the outdoor panel, and fix it with the screw on the bottom.



## Wiring Diagram

