



## WIRELESS VIDEO DOOR PHONE

### Essential security solutions

Video door phones have become an integral part of our homes today. The security of our loved ones is the most important responsibility and GM video door phones help you with it. GM has a distinct range of video door phones designed for your respective taste to provide foolproof safety to your home against intrusions of miscreants.



Scan and experience  
new lifestyle products

From this moment on, you're going to experience a whole new world of good products for a better lifestyle. Look through the wide range of products and accessories and find yourself a good reason to switch to a better world.

**GM Modular Pvt. Ltd.**

Website [www.gmmodular.com](http://www.gmmodular.com) Email [info@gmmodular.com](mailto:info@gmmodular.com) Toll Free No. 1800 209 1215



## WIRELESS VIDEO DOOR PHONE

**HI-RES COLOUR VIDEO DISPLAY**  
**CRYSTAL CLEAR AUDIO**



**OPERATION AND INSTALLATION**  
USER MANUAL



[www.gmmodular.com](http://www.gmmodular.com)



### Technical Specification

| ITEMS                     | DETAILS                                      |
|---------------------------|--|
| Receiver                  |  |
| Receiving Frequency Range | 2.400GHz~2.4835GHz                           |
| Monitor                   | 2.4" Color LCD                               |
| Date Rate                 | 2.0Mbps                                      |
| Receiving Sensitivity     | -90dBm                                       |
| Demodulation Type         | GFSK/FSK                                     |
| Resolution                | 320 240(RGB)                                 |
| Transmitting Power        | 19dBm(TYP)                                   |
| Power Requirement         | 3 Ni-MH 1.2V,800mAh                          |
| Power Consumption         | 450mA Max                                    |
| Operating Temperature     | -10°C~ 40°C                                  |
| Operating Humidity        | 0% ~ 85%RH                                   |
| Weight                    | 110g   |
| Size (WXHxD)              | Handset: 165 50 26mm<br>Charger : 79 77 42mm |
| No. of cameras supported  | Max.4  |

► Design and specifications are subject to change without prior notice.



### Index

|                          |       |    |
|--------------------------|-------|----|
| Prior to Use             | ----- | 1  |
| Introduction             | ----- | 2  |
| Unpacking                | ----- | 2  |
| Layout                   | ----- | 3  |
| Installing Batteries     | ----- | 5  |
| Charging Handset         | ----- | 6  |
| Installation Instruction | ----- | 6  |
| Diagram                  | ----- | 8  |
| Operations               | ----- | 9  |
| Menu Description         | ----- | 13 |
| Engineering Mode         | ----- | 17 |
| Technical Specification  | ----- | 18 |



### Prior To Use

Please read the manual carefully before installing your system and follow all directions to ensure proper installation.

### Safety Precautions

To reduce the risk of electrical shock and injury, please follow these basic safety precautions.

1. Carefully read and observe the instructions in this manual.
2. Follow all warnings marked on the unit.
3. Must set the time and the date when batteries are replaced.
4. Unplug this product from the wall outlet before cleaning, use a damp cloth to wipe.  
Do not use liquid or aerosol cleaners.
5. Do not place objects on the line cord that may cause damage.
6. Do not place the Outdoor phone near the metal.
7. Pay attention to the polarity of the batteries, insert the rechargeable batteries in accordance with polarity symbols (this instruction is found in the installing batteries section.)
8. Keep the phone out of the reach of children.
9. Use the phone only in the described manner.
9. Stop using the phone if its damaged.



### Technical Specification

| ITEMS                         | DETAILS                                   |
|-------------------------------|---|
| Camera                        |   |
| Transmit Frequency Range      | 2.400GHz 2.4835GHz                        |
| Date Rate                     | 2.0Mbps                                   |
| Transmitting Power            | 19dBm (TYP)                               |
| Modulation Type               | GFSK/FSK                                  |
| Transmitting Distance         | Outdoor: 200m, Indoor: 50m                |
| Image Sensor Type             | 1/4" Color CMOS Image Sensor              |
| Effective Pixels              | H: 320 V: 240                             |
| Image Processing              | Motion JPEG                               |
| Image Resolution / Frame Rate | H:320 V:240 / 25fps                       |
| White Balance                 | Auto                                      |
| Lens                          | 4.9mm / F2.8                              |
| Viewing Angle (Diagonal)      | 50  |
| Minimum Illumination          | 1 LUX (without LED illumination)          |
| LED                           | 6 LEDs                                    |
| Power Requirement             | +9 12V DC 5% / 2 Lr14© 1.5V batteries     |
| Power Consumption             | 500mA Max (cells),<br>400mA Max (+12V DC) |
| Operating Temperature         | -30°C ~ 40°C                              |
| Operating Humidity            | 0% ~ 85%RH                                |
| Weight                        | 166g                                      |
| Size (WXHxD)                  | 185 68 50mm                               |



## Engineering Mode

### Delete the Usage Mode

1. Press and hold the and beneath **Menu** at the same time about 5 seconds in standby mode, then the display will show as follows:

Registration  
Cleared !

2. After 5 seconds, it will exit automatically.

### Change the Unlock Time

1. Press and hold the and beneath **Menu** at the same time about 5 seconds in standby mode, then the display will show as follow:

Unlock Time  
1# 5 S

2. Press **Left** or **Right** to select the Outdoor phone.
3. Press **Up** or **Down** to select the unlock time (1-25 are selectable), then press the **Right** soft key to confirm, the display will show **SAVE OK**.
4. After 5 seconds, it will exit automatically.

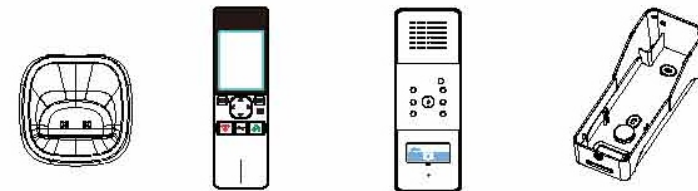


## Introduction

- ▶ Supports up to 4 outdoor units
- ▶ 2.4" (320x240) web QVGA LCD display
- ▶ Video resolution: 320p x 240p, with 25 pictures per second
- ▶ Wide angle lens and LED for night vision
- ▶ Long standby doorbell (battery up to 2 years or connect with DC+9~12V)
- ▶ Water-proof outdoor station Ip55
- ▶ Microphone and speaker phone
- ▶ Brightness and talk volume are adjustable
- ▶ Crystal clear sound quality
- ▶ Transmitting distance : with up to 200m range of doors
- ▶ Transmitting distance : with up to 50m range indoors
- ▶ Remote door opening (Optional)
- ▶ DIY installation to save high labor cost

## Unpacking

Once you have unpacked your door phones, make sure that all the parts shown below are available. If any piece is missing or broken, please call your dealer.



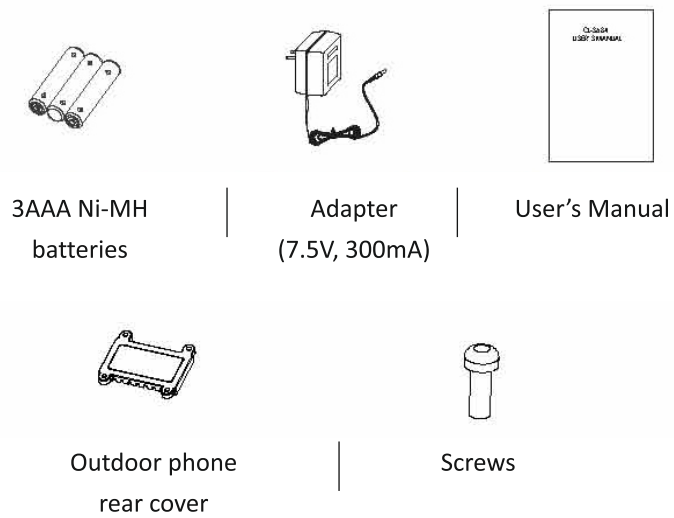
Indoor phone  
(Charger)

Indoor phone  
(Handset)

Outdoor phone

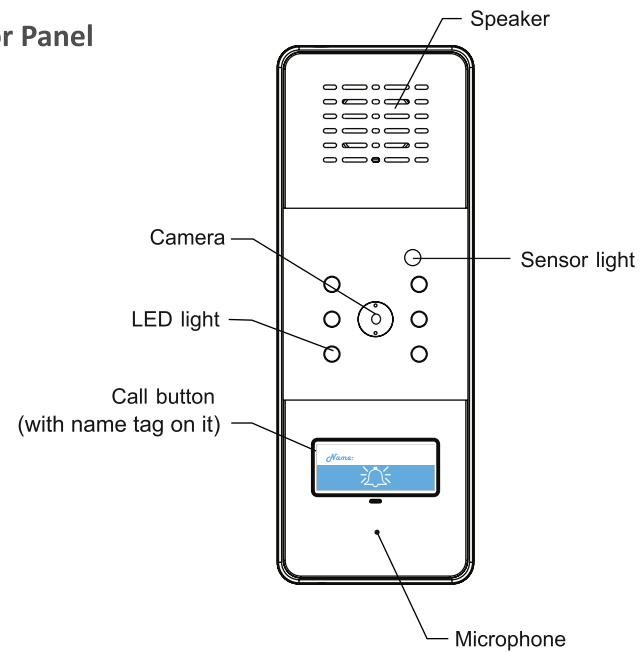
Rain Cover





## Layout

### Outdoor Panel



## Chapter 6: Snap Show

The pictures will store in this menu, you can save or delete them. On the left of the picture will display the corresponding Outdoor phone number.

1. Press beneath **Menu** to display the main menu items.
2. Press **Up** or **Down** to choose , then press beneath **Select**.
3. Press **Left** or **Right** to browse pictures.
4. If you want to delete the current pictures, use **Left** or **Right** to choose **Delete**, press the beneath **Del**. The display will show **Delete ?**, Press beneath **Yes** to confirm. After a beep the LCD shows the next picture.
5. Press beneath **Back** to return to the previous menu.

## Chapter 7: Default Setting

This function allows you to reset the handset settings to the factory default.

1. Press beneath **Menu** to display the main menu items.
2. Press **Up** or **Down** to choose , then press beneath **Select**.
3. Press **Up** or **Down** to choose **YES** or **NO** to enable or disable the function.
4. Press beneath **Select** to save the settings and return to the previous menu.

Result: After resetting, the handset will return to standby mode.

### Notes:

- If you reset the handset to the factory default, all of the settings will return to the factory default.



## Chapter 4: Key Tone

Every time you press a key, your handset acknowledges it with a key tone. You can disable the key tones for a silent use. In certain error conditions, a warning tone will sound when an incorrect key is pressed.

1. Press beneath **Menu** to display the main menu items.
2. Press **Up** or **Down** to choose , then press beneath **Select**.
3. Press **Up** or **Down** to choose **ON** or **OFF** to enable or disable the function.
4. Press beneath **Select** to save the settings and return to the previous menu.

## Chapter 5: Snap Setting

The unique **Snap Shot** function records up to 50 photos of whoever visits your home whether you are there or not. To get this **Auto Snap**, please set it up in the indoor handset as follows.

1. Press beneath **Menu** to display the main menu items.
2. Press **Up** or **Down** to choose , then press beneath **Select**.
3. Press **Up** or **Down** to choose **ON** or **OFF** to enable or disable the function.
4. Press beneath **Select** to save the settings and return to the previous menu.

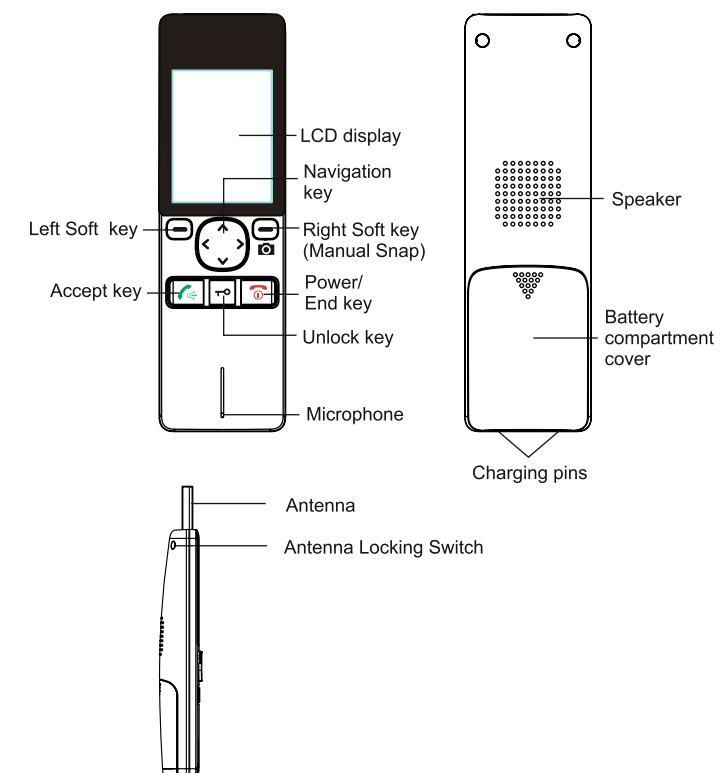
With this **Auto Snap** On, the camera will take a photo of the visitor automatically when they press the **Call** button on the Outdoor unit. You can then see the photo on the handset.

### Notes:

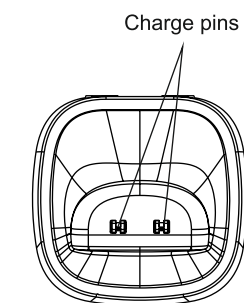
- During a conversation, the camera can take a photo of a visitor if you press the **Snap** key and save it into the handset.
- During monitoring, the camera can take a photo of the view if you press **Snap** key and save it into the handset.
- Up to 50 photos can be stored in the handset. The previous ones will be replaced automatically when the photos exceed 50 snaps in the handset.



## Indoor Phone



## Indoor Charger



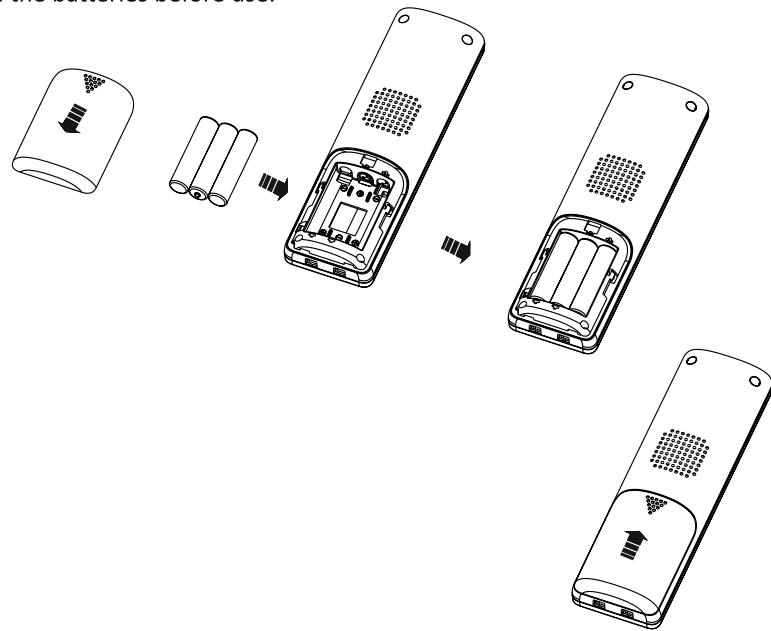
## Installing Batteries

### Indoor Phone

The rechargeable Ni-MH batteries (AAA size, 1.2V, 800mAh) are provided with your phone.

Install the batteries before use.

1.



2. Insert new batteries as indicated, matching correct polarity (+,-).

3. To replace the battery cover, slide the cover up until it snaps in place.

#### Notes:

- Reversing the orientation may damage the handset.
- The batteries need to be replaced if they do not recover their full storage capacities after recharging.
- When replacing the batteries, always use good quality Ni-MH re-chargeable batteries. Never use other batteries or conventional alkaline batteries.

## Chapter 2: Volume

This function allows you to adjust the volume (9 levels are adjustable) during a call.

1. Press beneath **Menu** to display the main menu items.
2. Press **Up** or **Down** to choose , then press beneath **Select**.
3. Press **Left** or **Right** to select the volume that you like. Each time you press **Left** or **Right** , the handset emits a sound with the selected volume.
4. Press beneath **Black** to save the settings and return to the previous menu.

#### Notes:

- Also, you can use **Left** or **Right** key to adjust the volume in the standby mode.

## Chapter 3: Brightness

This function allows you to adjust the light level (9 levels are adjustable).

1. Press beneath **Menu** to display the main menu items.
2. Press **Up** or **Down** to choose , then press beneath **Select**.
3. Press **Left** or **Right** to select the light level that you like. Each time you press **Left** or **Right** , the handset brightens with the selected light level.
4. Press beneath **Black** to save the settings and return to the previous menu.

#### Notes:

- Also, you can use **Up** or **Down** key to adjust the light level in the standby mode.



## Menu Description (continued)

### Chapter 1: Date & Time

1. Press beneath **Menu** to display the main menu items.
2. Press **Up** or **Down** to choose , then press beneath **Select**.
3. If you want to set time, you can press **Left** or **Right** to choose the **Hour** or the **Minute**, and press the **Up** or **Down** to adjust.
4. If you want to select the date, you can press **Left** or **Right** to choose the **Year** or the **Month** or the **Date**, and press the **Up** or **Down** to adjust.
5. Press beneath **Back** to return to the previous menu.

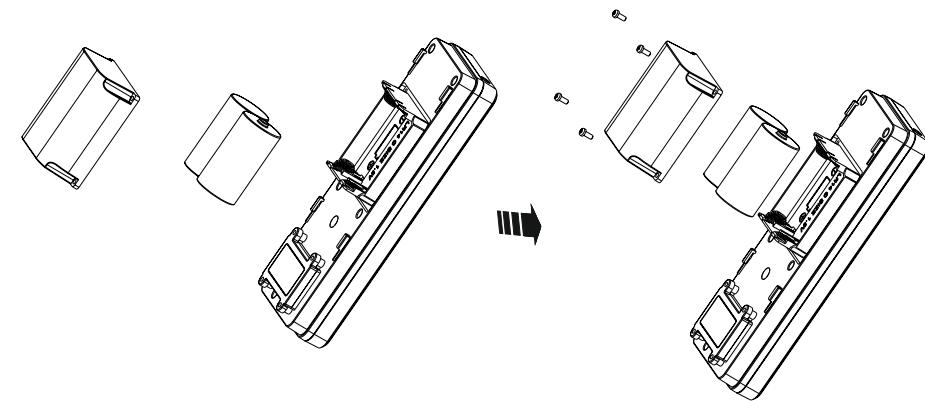
#### Notes:

- The time format is 24-hour and the date format is YY-MM-DD.
- The **Date & Time** must be set beforehand to ensure that the time display on the monitoring pictures are correct.
- When you replace batteries, you must set the time and the date again.
- The **Date & Time** setting order is **Hour-> Minute -> Year-> Month-> Date**.



## Outdoor Phone

1. Install two C size batteries (not supplied) into the battery compartment.
2. Drill four screws to fix the battery cover up.



## Charging Handset

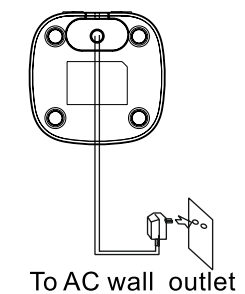
**Important Note:** Before initial operation, **YOU SHOULD FULLY CHARGE THE HANDSET** for about 15 hours.

To charge the handset, you should place it on the charger.

## Installation Instruction

### Indoor Phone

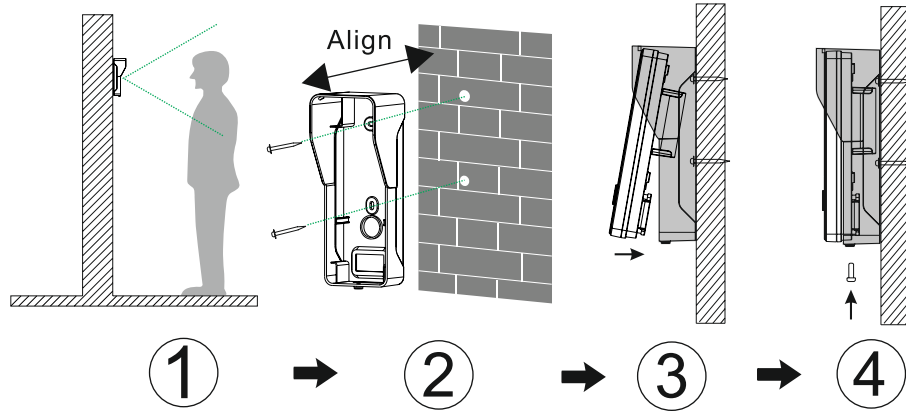
Connect the modular end of the AC power adaptor to the power jack of the charger, then plug the AC adaptor into a standard AC wall outlet.





### Outdoor Phone

1. Choose a proper location for the outdoor phone. Be sure to consider the average height of visitors.
2. Align the rain cover and screws with the holes in the wall.
3. Install the outdoor phone into the rain cover. Please refer to the picture 3 below.
4. Drill a screw to fix and finish the installation.

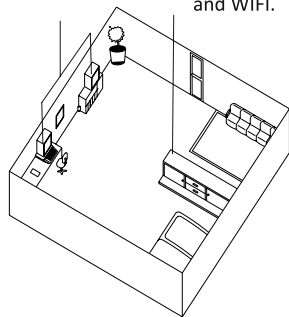


#### Notes:

Away from electrical appliances, such as a TV, personal computer or another cordless phone.

In a HIGH and CENTRAL location with no obstructions such as walls, microwave oven and WIFI.

Slide the antenna locking switch to unlocking position, the receiver antenna will pop up to receive better signal.



### Calling Indoor phone

In standby mode, press the call button on the Outdoor phone. The corresponding Indoor phone rings, and the image of the visitor appears on the LCD of the Indoor phone.

1. If the master does not want to answer, press to cancel the ringer and the video.
2. After the master presses , the outdoor phone will stop ringing and the conversation starts.
3. Press to end the conversation.

#### Notes:

- The conversation can be up to 2 minutes. After 2 minutes, the line will be disconnected automatically.
- The monitor process can be up to 5 minutes. After 5 minutes, the phone will quit monitor mode automatically.

### Unlocking

During a conversation, to unlock the door, press on the Outdoor phone.

### Light Sensor

In the evening, when someone presses the Call button on the Outdoor phone, all the LED lights will light on.

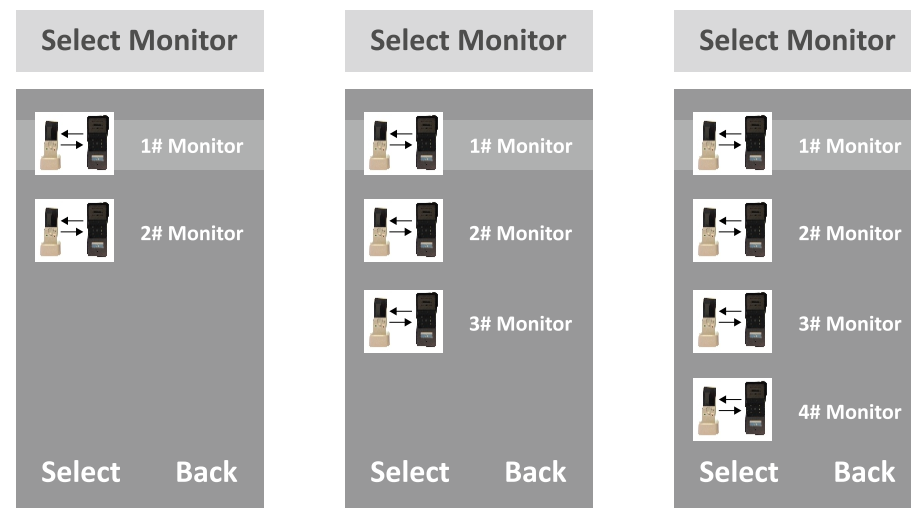


## Operations

### Monitor

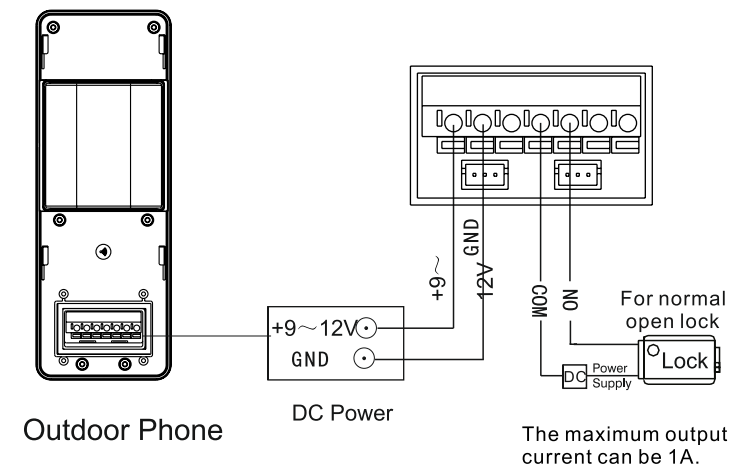
About the monitor function, the LCD will automatically display the corresponding menu according to the registered Outdoor phones.

1. In the standby mode, press beneath **Mon.**
2. When registering one Outdoor phone, the LCD will display 1# Outdoor phone.
3. When registering two or more Outdoor phones, the LCD will display 1#, 2# ... Monitor (Pictures below), and you can press **Up** or **Down** to choose the monitor you need, then press beneath **Select**.

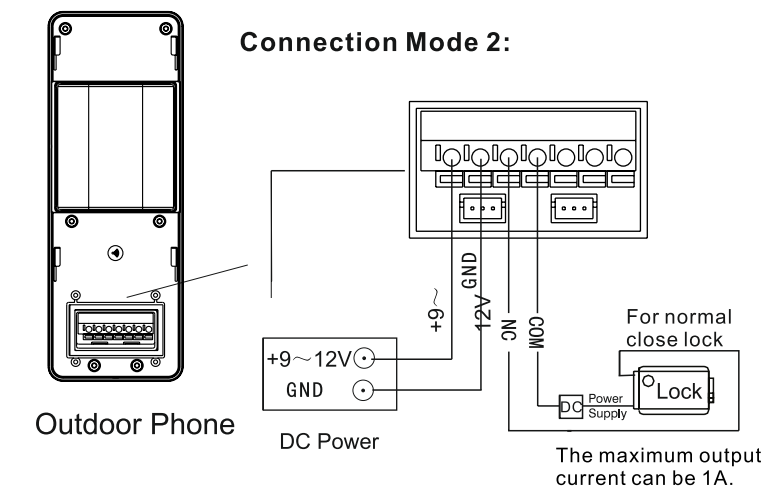


## Diagram

### Connection Mode 1:



### Connection Mode 2:



### Notes:

- Both the batteries and the power supply are available, but not to use them at the same time. To support some special functions, like monitoring, backlight, on the all button and unlocking, please connect the power supply.



## Operations

### Turning On / Off

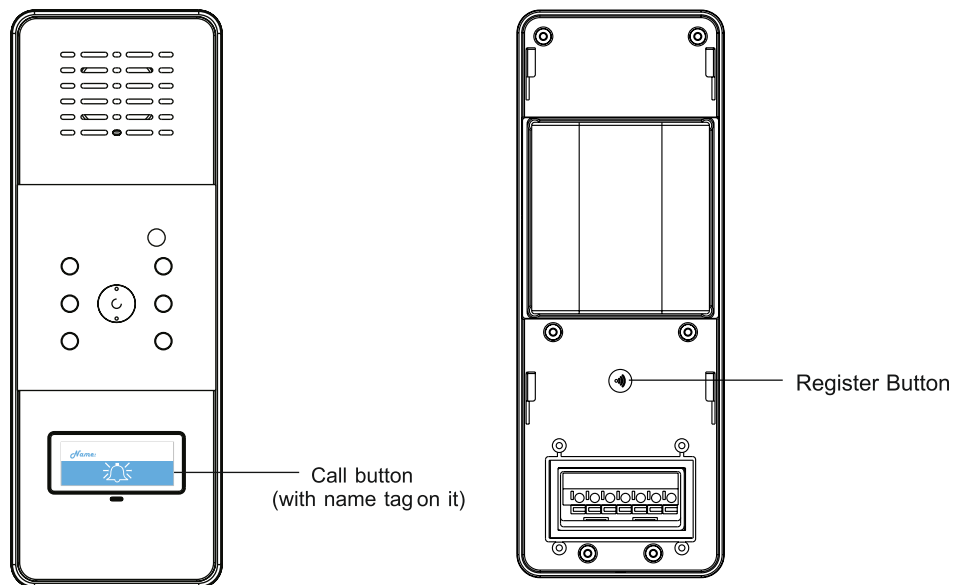
To turn the indoor phone on, press

To turn the indoor phone off, press

### Register

First press the **Call** button on the Outdoor phone, then hold the **Register** key on the back of the Outdoor phone until the LED light blinks. Second, press beneath **Menu** on the Indoor phone, then select the **Register** menu. Once a prompt tone is heard, the Outdoor phone has been registered to the Indoor phone successfully.

If the prompt tone is heard twice at registration, the registration was unsuccessful. Turn off the Indoor phone before you hold the **Register** key. Then turn on the Indoor phone again, re-install the Outdoor phone batteries and try again.



The Indoor phone can support up to 4 Outdoor phones.

1. When you have registered one Outdoor phone, the register interface will display as below:



2. When you have registered 4 Outdoor phone, the register interface will display as below:

