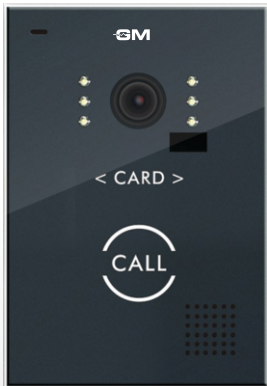


Touch Video Door Entry System

Everyone likes surprises. And apart from the security perspective of the video door phone, also there are ways you could do to make that special someone standing at your door happy. Comfort your guest with a genuine hospitality beginning right from opening the door. Video door phones have definitely become an integral part of our homes today. And certainly they will change the way you welcome your guests.



GM- Video outdoor unit



GM-Video indoor monitor



SCAN this QR code via QR-code reader to know more.

GM MODULAR PVT. LTD.
Tel: 91-250-2451687/8 • Fax: 91-250-2451689 • Email: info@gmmodular.com
Toll Free no. 1800 209 1215



www.store.apple.com



www.youtube.com/gmmodular



www.facebook.com/gmmodular



www.twitter.com/gmmodular

www.gmmodular.com

AN ISO 9001:2008 CO



SWITCH TO A BETTER WORLD

www.gmmodular.com

Touch Video Door Entry System

**OPERATION
AND INSTALLATION
MANUAL**

SECURITY | TECHNOLOGY | AESTHETICS | INNOVATION



HI-RES COLOUR VIDEO DISPLAY
CRYSTAL CLEAR AUDIO
HANDS FREE FUNCTION
ULTRA FLAT DESIGN
ACCESS CARD*

(Optional)



FOURFIVE
Inspired by the senses

Introduction

TOUCH VIDEO DOOR PHONE

Touch button door phones are designed to provide fool-proof safety to your home against intrusions of miscreants.

The unit comprises:

1. Out-Door Unit with DC power source.
2. In-Door Monitor with DC power source.
3. Programmable Magnetic access card for Entry Door
4. Remote Control for Programming the access card.

1.1 Functions

- It provides two way audio communication between the visitor and the house resident.
- Visual image of the visitor appears on the in-door monitor.
- Compatible to operate the electronic door lock from in-door.
- Unlocks the entry door using programmable magnetic access card.

1.2 Salient Features

- In-door monitor unit - Bracket mountable (bracket supplied)
- Out-door unit - Flush mountable (flush box supplied)
- Compatible to operate the electronic door lock from in-door by controlling switch on in-door monitor.
- Suitable for multiple in-door monitors and two entrance with out-door stations.
- Provided with programmable magnet access card for unlocking the entrance door.
- The magnetic access card code can be programmed with the help of Remote control supplied.
- Inter-connection wiring between in-door & out-door units using ordinary four-core cable.
- Talking duration (max) - 2 min.

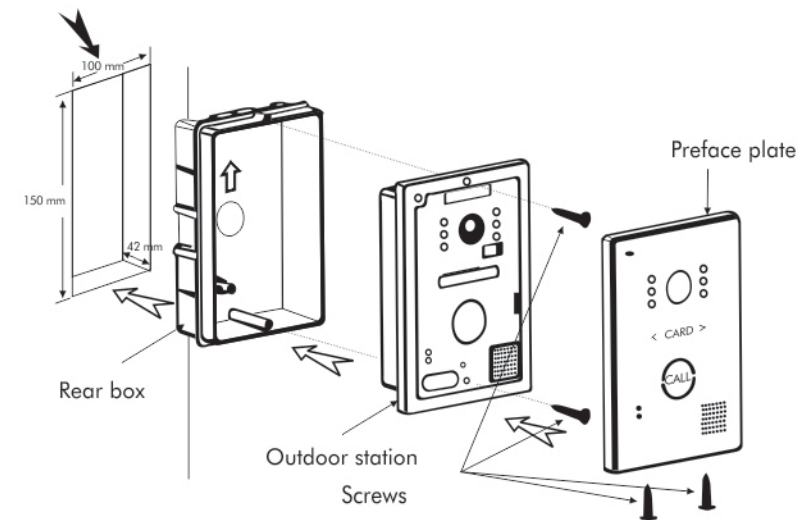
Out-Door Unit

2.1 Technical Specification

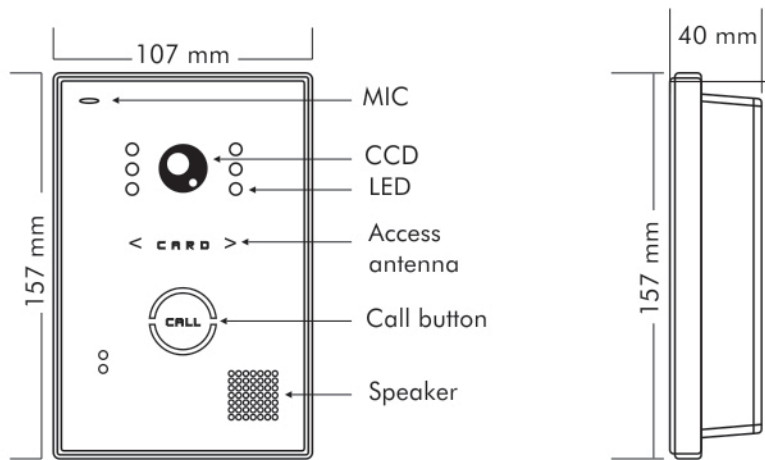
Operating Supply	14.5 V DC
Stand by current	≤ 50 mA
Working current	≤ 600 mA
Mode	Dual transmission
Talking time	2 minutes
Working environment	a) Temperature: -10 to +55 C
	b) Humidity : RH ≤ 95%

2.2 Out-Door Unit Installation Diagram

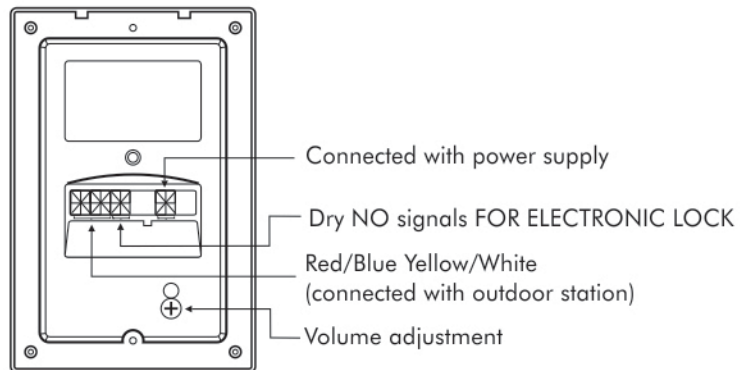
Cutout for rear box



2.3 Out-Door Unit Physical View



2.4 Out-Door Unit Wiring Connection

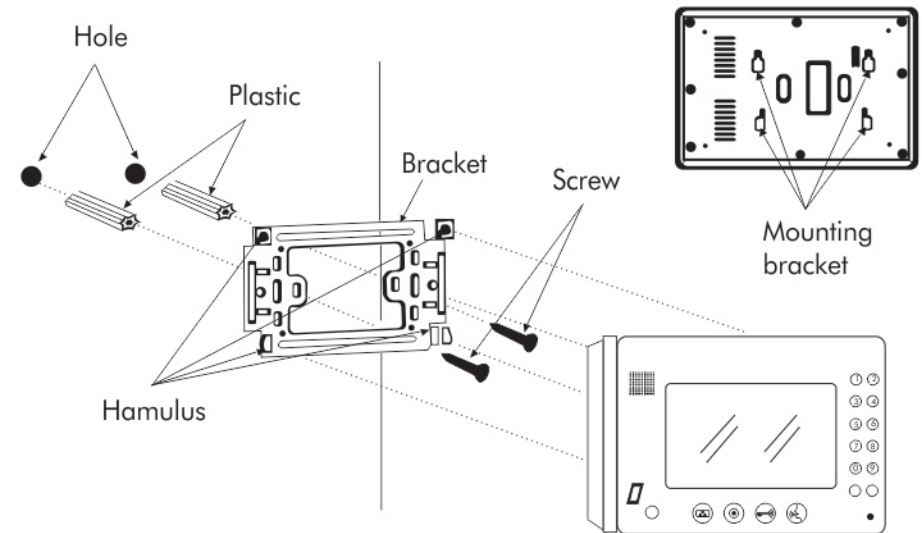


In-Door Monitor

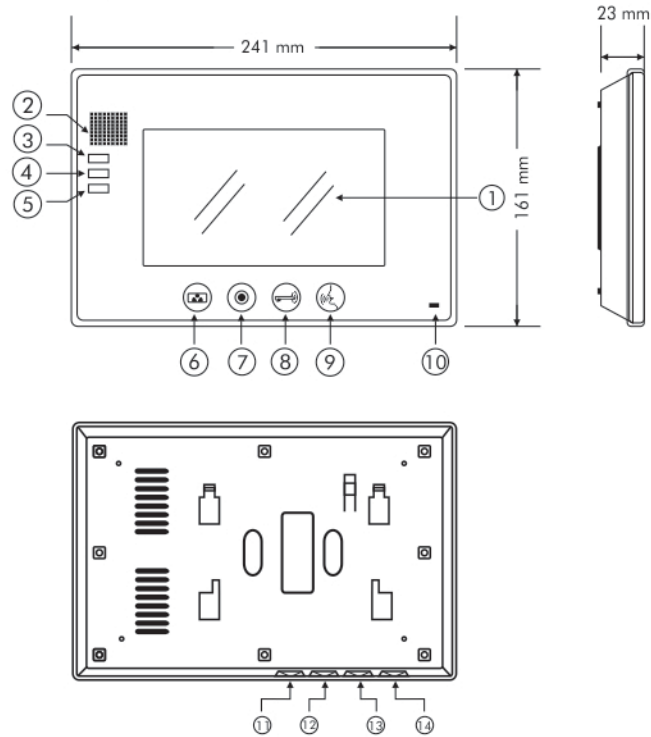
3.1 Technical Specification

Operating Supply	14.5 V DC
Stand by current	≤ 50 mA
Working current	≤ 600 mA
Mode	Dual transmission
Talking time	2 minutes
Working environment	a) Temperature : -10 to +55° C
	b) Humidity : RH $\leq 95\%$

3.2 In-Door Monitor Installation Diagram

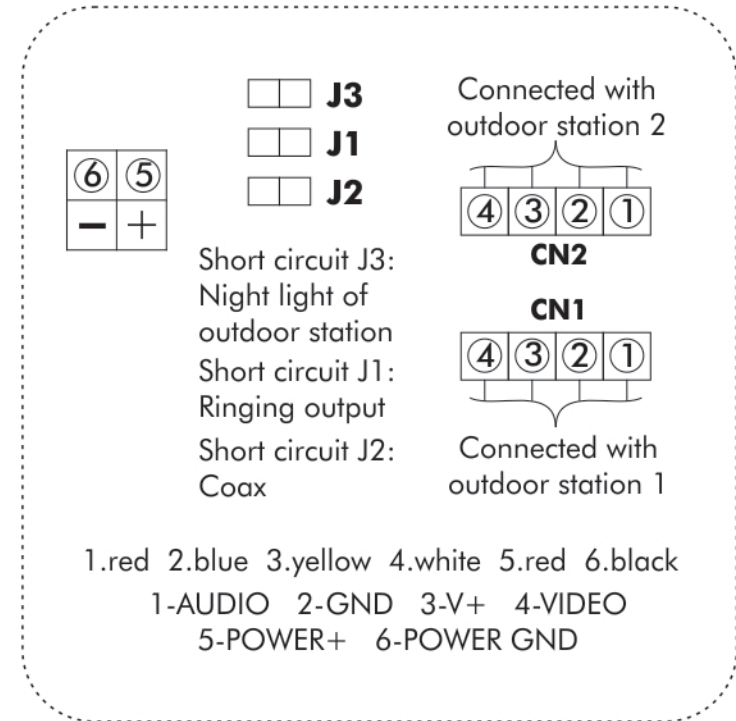


3.3 In-Door Monitor Physical View



No.	Function	No.	Function
①	Monitor Screen	⑧	Unlock (Touch button)
②	Speaker	⑨	Talking (Touch button)
③	Power and talking indicator	⑩	Microphone
④	Door 1 calling indicator	⑪	Brightness
⑤	Door 2 calling indicator	⑫	Chroma
⑥	Monitor (Touch button)	⑬	Volume
⑦	Calling (Touch button)	⑭	Ring adjust

3.4 In-Door Unit Wiring Connection



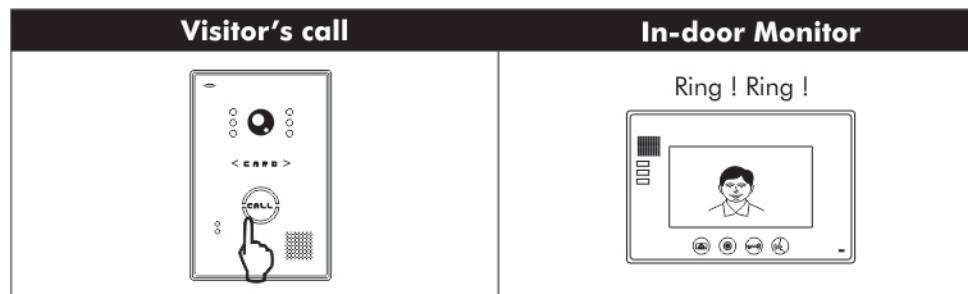
Note:

While connecting more than one indoor monitor-




1. Please short circuit J2 of the farthest monitor and disconnect J2 of the other monitors.
2. Short circuit J1 and J3 of the closest monitor and disconnect J1 and J3 of monitors.

Operation



4.1 Visitor Calling

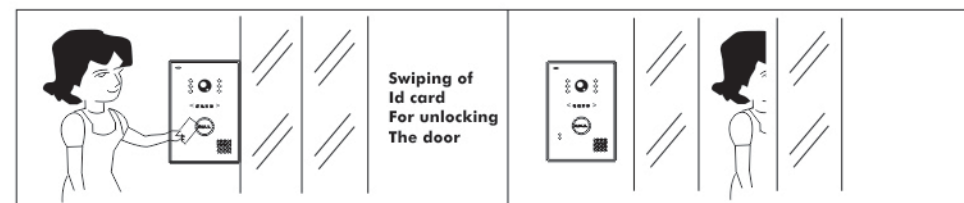


Pressing of the button registers call on in-door monitor




- a) Visitor to press call button on out-door station.
- b) All in-door monitors activate :
 - Ringing
 - Indicating for position of out-door station (in case of multi-entrance)
 - Visitor image on screen.
- c) Press the talk  button on any in-door monitor and start talking.
- d) In case of multi-in-door monitor press the talk  button on any other in-door monitor to start talking (third party call conference).
- e) Re-press the talk  button on the in-door monitor to close the talking.
- f) Display of talking indicator on in-door screen extinguishes.
- g) Max talking duration 2 minutes.
- h) In case of no talking the call lasts max 1 minute.
- i) During one to one talking mode, if call button from other out-door station is pressed, the earlier talking will get connected to the in-door monitor. In such case corresponding call indicator of out-door station will glow. will flash on in-door monitor.

4.2 Door Unlocking




On door-call indicated by on after watching talk indicator and visitor's image on the in-door indicator press the key button  to unlock the entrance door. In monitor mode also the entrance door can be unlocked by pressing the key button .



4.3 Monitoring

- a) In standby mode, press the monitor button .
- b) Door 1 indicator of in-door monitor will flash showing the scenery of door 1 out-door station's camera.
- c) Press monitor button  second time to see the scenery at door 2 outdoor station's camera.
- d) Press the monitor button third time to close the monitoring.
- e) Without the third press monitoring will close in 1 minute automatically.
- f) While monitoring talking button  on in-door monitor can be pressed to activate audio monitoring.
- g) Monitoring mode last for 1 minute independent of each other.

4.4 Call Transfer on In-door Monitor

- a) When a call is made from out-door station there will be ring from all the in-door monitors.
- b) To respond the call, press talk button .
- c) The call can be forwarded to another in-door monitor by re-pressing the talk button .
- d) Press calling  button to close the talking.

Assignment of Magnetic Access Card using Remote (access) control

Remote (access) control:

Technical Specification:

- IR based
- Battery - Button type, Silver zinc 3V.
- Standby current : 0.001mA.
- Working current : ≤ 0.45mA.
- Effective distance : ≤ 20 cm.

Remark: The inside battery of Remote control is covered by an insulating film, peel off the insulating film before usage.

Operation

Enter the System:

- Press the * and # button on the access control (Remote) keyboard.
- Follow the 4 digit primary password.(Note: The primary password is 4567)
- Press # button. The indicator will flash red, and a long tone 'Di' will be heard.
- Enter for setting mode.
(Note: The system by default shuts down in 20 seconds of inactivity)

Assignment of Magnetic card:

- Enter the setting mode.
- Press the button '1', a tone 'Di' will be heard.
- Take a magnetic card near the sensor of access control or feed in the last 6 digital card number. Two tone 'Di' indicates successful assignment of access card.
- Assign other magnetic cards one by one in similar fashion.
- The 4 tones 'Di' indicates that the particular card has already been assigned.
- After all the access cards are assigned, press the button * to return to setting mode.
- Re-press the button * to return to standby mode.

Deletion of Assignment :

- Enter the setting mode.
- Press the button '2'. A tone 'Di' will be heard.
- Take the magnetic card near the sensor of access control or feed-in the last 6 digit card number. Two tone 'Di' indicates successful deletion of assignment.
- Similarly delete the assignment of other access cards one-by-one. The 4 tone 'Di' indicates that the assignment of the particular card has already been deleted.
- After the deletion of assignment press the button * to return to the setting mode.

Deletion of Assignment of all cards :

- Enter the setting mode.
- Press the button '9'. A tone 'Di' will be heard.
- Re-press the button '9'. A continuous tone 'Di' will be heard. The tone disappearance indicates that the assignment of all the access cards have been deleted.
- Press the button * to return to the setting mode.
- Re-press the button * to return to the standby mode.

Changing of Administration Password :

- Enter the setting mode.
- Press the button '8'. A tone 'Di-Di' will be heard.
- Feed-in 4 digit password and press # button.
- On hearing a tone 'Di' feed-in new password and press # button.
- Two tone 'Di Di' will be heard confirming completion of the operation.
- If there is continuous 'Di' sound repeat the above operation till the two tones 'Di Di' is heard.

Setting the delay time for door locking:

- Enter the setting mode.
- Press the button '4'. A tone 'Di' will be heard.
- Feed the unlocking delay time (01 to 99 seconds are available)
- Press the button * to return to the setting mode.
- Re-press the button * to return to the standby mode.

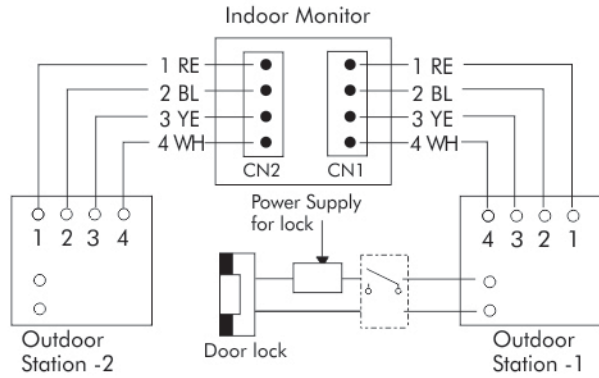
Setting the building and entrance :

- Enter the setting mode.
- Press the button '3'. A tone 'Di' will be heard.
- Feed-in the building number (xxxx) and entrance number (xx).
- Press # to confirm.
- Press the button * to return to the setting mode.
- Re-press the button * to return to the standby mode.

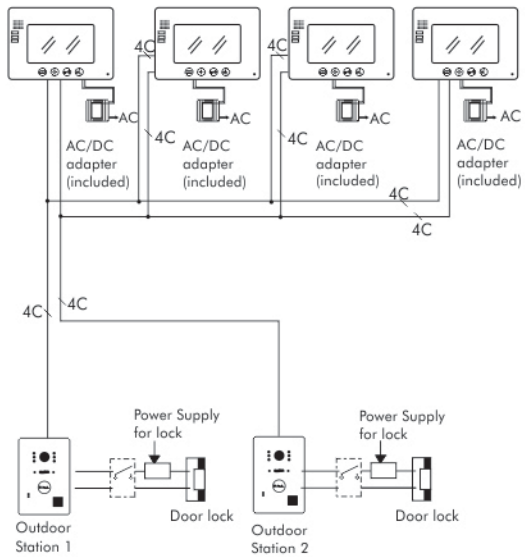
System Wiring Diagrams

6.1 Single In-door Monitor with two entrance door

1. Red 2. Blue 3. Yellow 4. White
 1- Audio 2- GND 3- V+ 4- Video



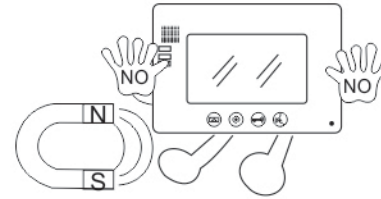
6.2 Multiple In-door Monitor with two entrance doors



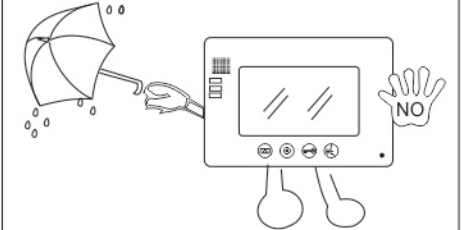
Precautions



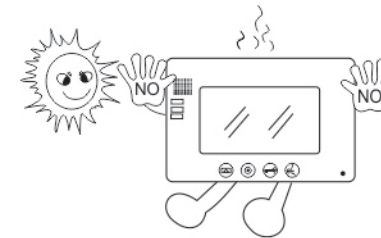
1. Do Not put the unit near the magnetic area such as television, video recorder etc.



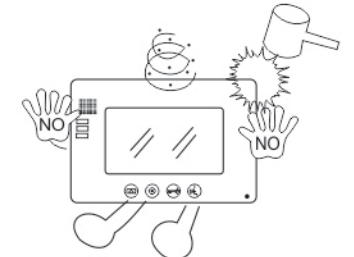
2. Keep the unit dry, humidity and all types of liquids or moisture contains mineral that will corrode electronic circuits



3. Do not put the unit in hot areas. high temperatures can shorten the life of electronic device.



4. Do not drop, knock or shake the unit.



5. Do not attempt to open the unit. Non expert handling may damage the unit.



6. Do not use the wet dishcloth or the volatile cleansers to clean it.

