

# MOSQUITO REPELLENT 240V~

(2 module)

## Functions

Mosquito Repeller cum Fragrance diffuser is a unit having in-built switch and LED indicator.

## Technical Specifications

- Rated voltage 240V~ 50/60 Hz.
- Power Consumption < 3W
- The unit can be loaded with Mosquito mat to drive away mosquitos or alternatively it can also be loaded with fragrance mat to provide fragrance.
- Provided with a switch for ON/OFF function.
- Equipped with LED to indicate the status of the unit.
- Suitable for screw-less mounting on the plates.
- Connectors provided for easy wiring connection.
- Suitable for mounting on inflammable surface.
- Impact Protection Ik02.
- Class II appliance.
- Size: 2 module.

## Salient Features

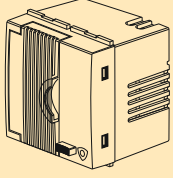
- Uses mat which is electronically heated to act as mosquito repeller or give out fragrance.
- Any of the following mat can be used:
  - Mosquito repelling mat (Product code AA 2080GA).
  - Fragrance Mat Jasmine (Product code AA 2080 JM).
  - Fragrance Mat Sandalwood (Product code AA 2080 SW).
  - Fragrance Mat Lavender (Product Code AA 2080 LA).
- Effective life of mat when continuously used: about 8 hrs.
- Harmless to human beings and pets.
- Noise free

## Application

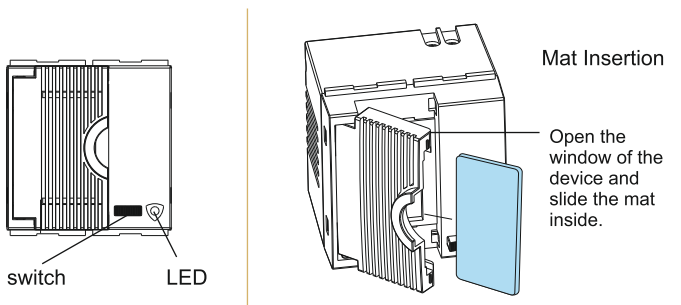
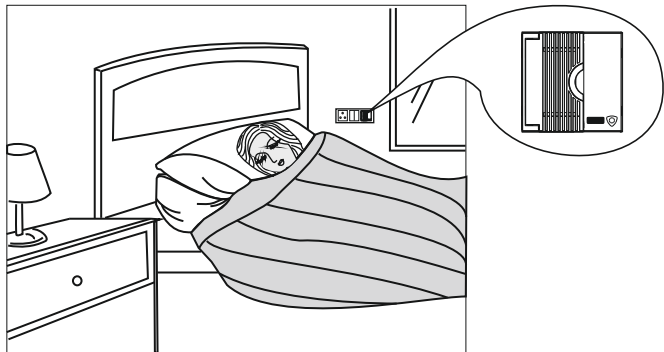
Exclusively suitable for homes, hotels, hospitals and offices.

## Nomenclature and Marking

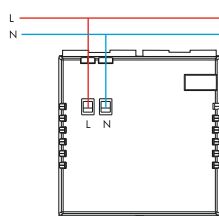
GM modular range is marked with details using laser technology with absolute precision and indelibility.

Product	Product code	Details
	AA 2 080	Mosquito Repellent/ Fragrance Diffuser Mat Type

## Example for Use



## Wiring diagram



## Front and side view showing the over all dimensions in mm

