

EMERGENCY LIGHTS

(3 module)

Functions

This LED based emergency light has two functions..

- Emergency Light source on power failure.
- Can also be used as a night lamp.

Technical Specifications

- Supply voltage: 110-240V/50-60 Hz.
- Current consumption (max): 0.6A
- 4 Different levels of light including OFF
- BL5C Battery: 1050mAh Li-ion Rechargeable,
- Protection: Over current, short circuit.
- Suitable for mounting on inflammable surfaces
- Impact protection IK 02
- Class II appliance.
- Size: 3 module.

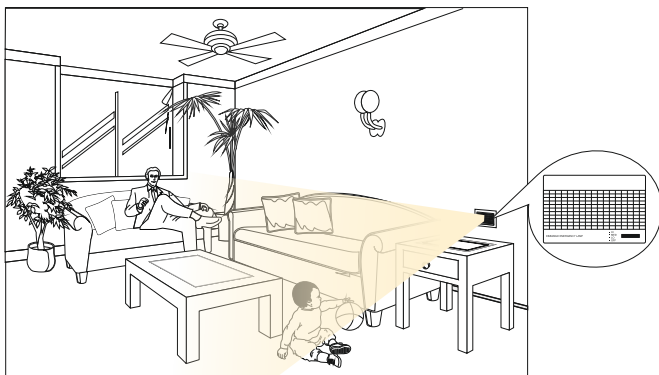
Special Features

- The unit is equipped with high efficiency LED & smart micro processor, controlling battery charging and AC power detection.
- It can be used either as an Emergency Light or a Night Lamp. In both the functions Intensity of light can be adjusted.
- By default the level of illumination will be "high" on power failure.
- Designed with provision of a series switch to disable the emergency light function during day time or long absence of user.
- Designed with a push button to select 4 levels of light intensity - 1) High 2) Medium 3) Low & 4) Off

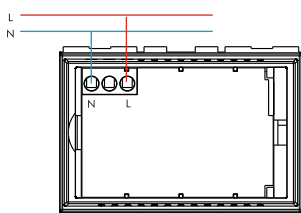
Nomenclature and Marking

GM modular range is marked with details using laser technology with absolute precision and indelibility.

Example for Use



Wiring diagram



Product	Product code	Details
	AA 3 150	Emergency Light Fitting with BL5C Battery with high luminous LED & 3 dimming steps

Push Button control:

The unit is designed with a push button in front to control the 4 levels of light intensity including OFF.

Level 1	Light source ON/OFF
Level 2	Min lighting
Level 3	Med lighting
Level 4	Hi lighting

LED indicator showing charging status of Li-ion Battery:

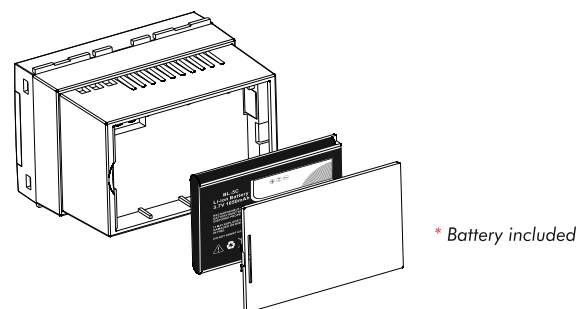
Steady Green	Battery fully charged-(Volt>4.14V)
Steady Red	Battery under charge-(Volt>3.30V)
Flashing Red	Battery low capacity-(Volt<3.30V)

Battery Operation Hours:

Low Light Level	18 hours (approx.)
Med Light Level	9 hours (approx.)
High Light Level	4 hours (approx.)

The Battery operation duration will depend upon the charge status of battery and intensity level of light selected.

View showing the assembly with rear battery cover removed



Front and side view showing the over all dimensions in mm

