

EDGE GLOW LED SIGNAGE

Functions

- Hotel Signages are employed to display information for the guidance of customers.
- The slide with engraved information is inserted in the lighting unit.
- The slides are interchangeable.

Technical Specification

- Rated voltage: 240V~
- Employs edge lighting using high luminous LEDs.
- Class II appliance.

Customization

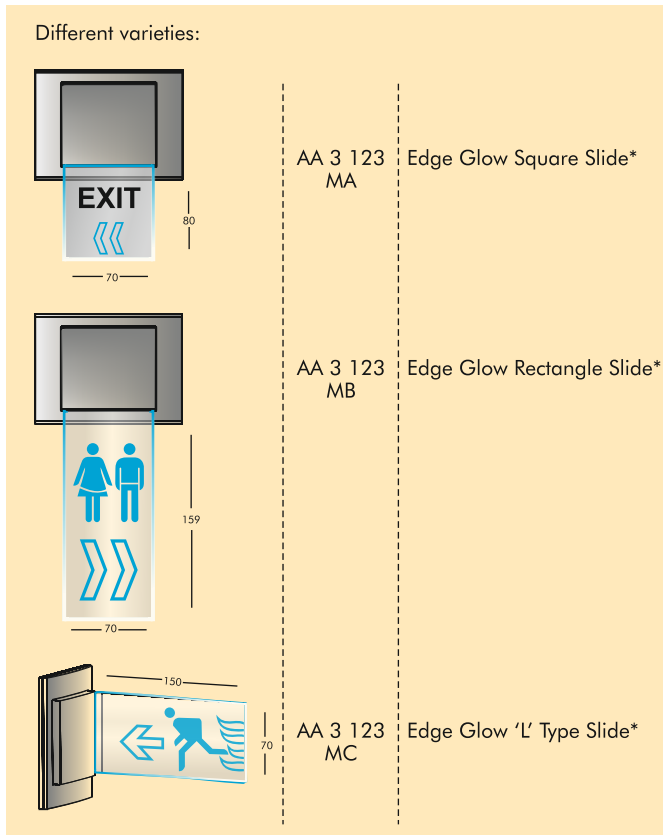
- The slides can be customized as per the requirement of the customer.
- While ordering engraving of the customized symbol on the slides, whenever possible, reference should be made of the product code along with the number of the symbol. (eg. AA 3 123 MA / 25 means signage edge glow square with EXIT direction symbol).

Nomenclature and Marking

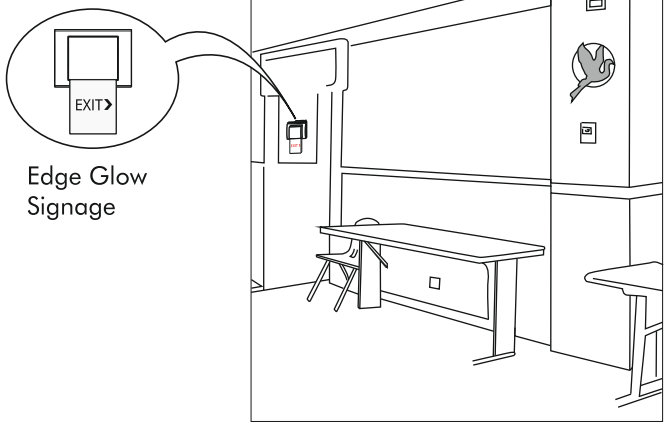
GM modular range is marked with details using laser technology with absolute precision and indelibility.



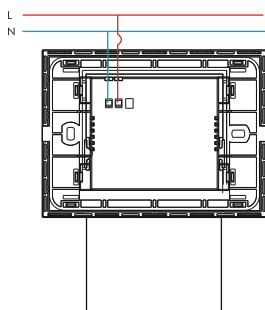
Symbols for customizable slides of Edge glow signage (Laser engraving)



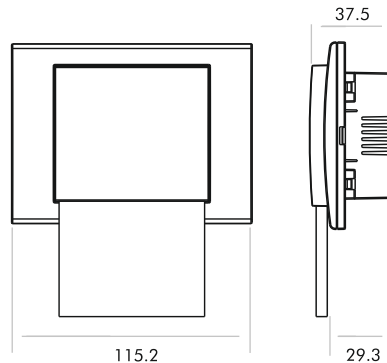
Installation:



Wiring diagram



Front and side view showing the over all dimensions in mm



Fitment of Slide

