

6AMP BELL PUSH 240V~



(2 module)



Functions

- Designed for switching on the bell/buzzer and similar load momentarily.
- The bell push is also having luminous name plate which always remains lit.

Technical Specifications

- Momentary contact switch with luminous (LED) name plate.
- Rated voltage 240V AC.
- Rated current 6Amp
- Clearance between poles > 3 mm.
- Insulation resistance (dry) tested with 500 V DC > 100 Mega ohms.
- Minimum electric strength 2000 V AC across break.
- Minimum making and breaking capacity 200 operations with 1.25 times rated current at 264 V and 0.3 lagging power factor.
- Silver cadmium oxide contacts for low contact resistance and enhanced operating life.
- The rocker manufactured from self lubricating plastic material having high thermal stability.
- Sleek design and soft contours.
- Class II appliance. 
- Suitable for mounting on inflammable surface. 
- Size : 2 module.

Special Features:

- The push button unit has knob with transparent cover to hold name card.
- High luminous LED is provided to illuminate the name card.
- It is possible to have different disposition of LED light.
 - Always lit ie. name card is always illuminated.
 - Lit only when push button is pressed ie. name card is illuminated only when push button is pressed (feed back features).

Applications

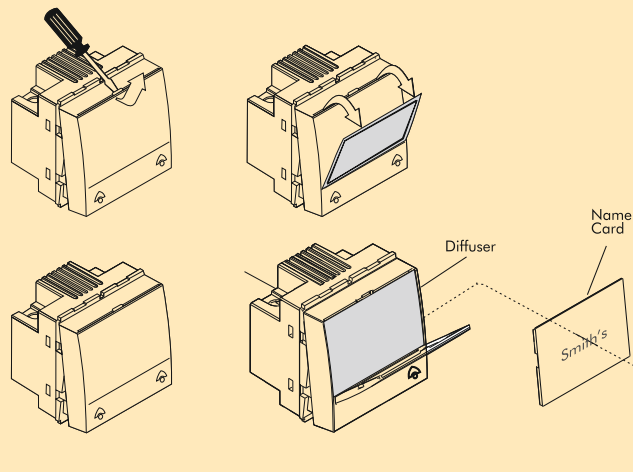
Home, Hotel and commercial establishments

Nomenclature and Marking

GM modular range is marked with details using laser technology with absolute precision and indelibility.

Dismantling of assembly

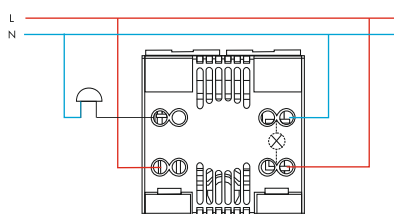
AA 2 025 - Bell Push Switch



Example of Use



Wiring diagram



Front and side view showing the over all dimensions in mm